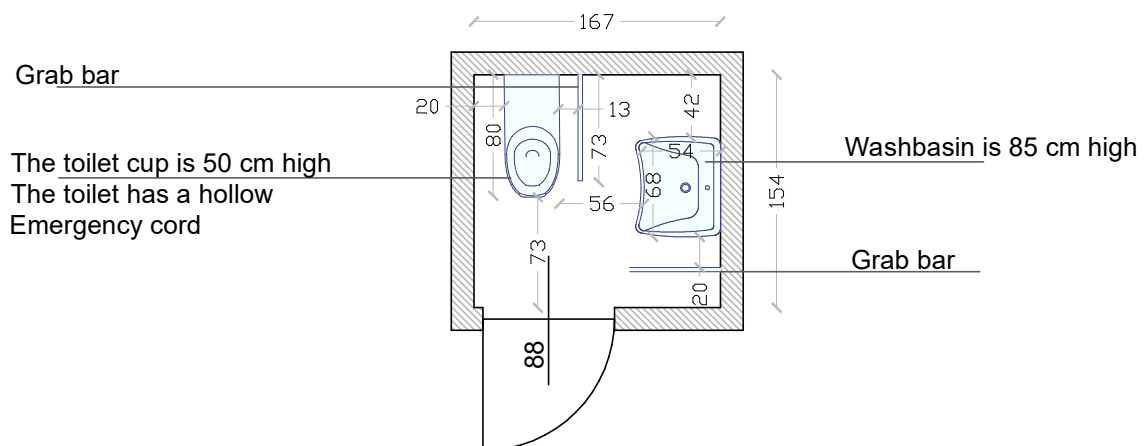


TAVOLA:

MART - MUSEO DI ARTE MODERNA E CONTEMPORANEA  
WHEELCHAIR ACCESSIBLE TOILETS  
IN THE EDUCATION AREA (WOMEN)

DATA:

1.01.2023



INFORMATION COLLECTED BY THE STAFF OF HANDICREA

via S. Martino 46, 38122 Trento  
Tel. 0461-239396 E-mail: [info@handicrea.it](mailto:info@handicrea.it)

