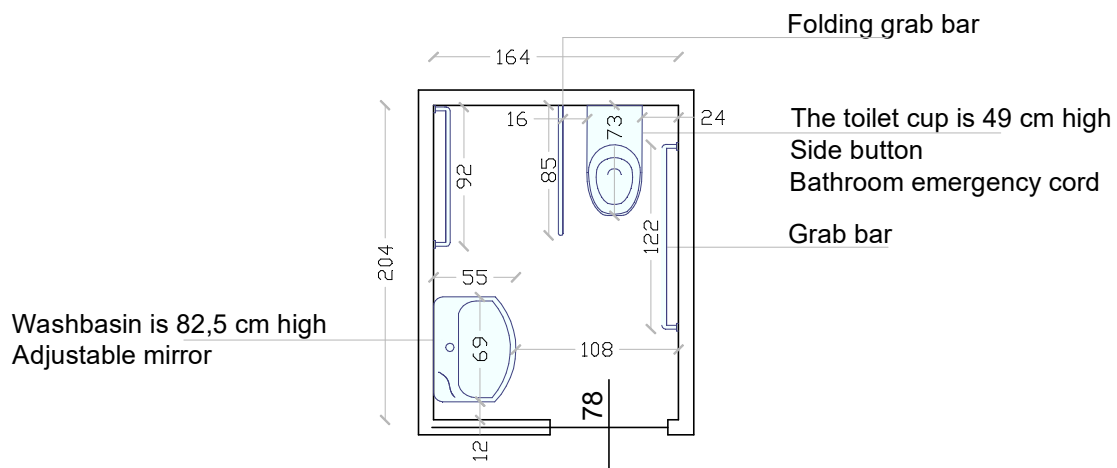


TECHNICAL DRAWING

DATE:

MUSEO DIOCESANO TRIDENTINO
WHEELCHAIR ACCESSIBLE TOILETS

14.10.2020



INFORMATION COLLECTED BY THE STAFF OF HANDICREA

via S. Martino 46, 38122 Trento
Tel. 0461-239396 E-mail: info@handicrea.it

